



Delo® Protection for Construction Equipment

Hydraulic System

- Delo TorqForce™ SAE 10W (CAT TO-4)
- Delo TorqForce MP (CAT TO-4M)
- Delo TorqForce Syn SAE 5W-20
- Rando® HDZ



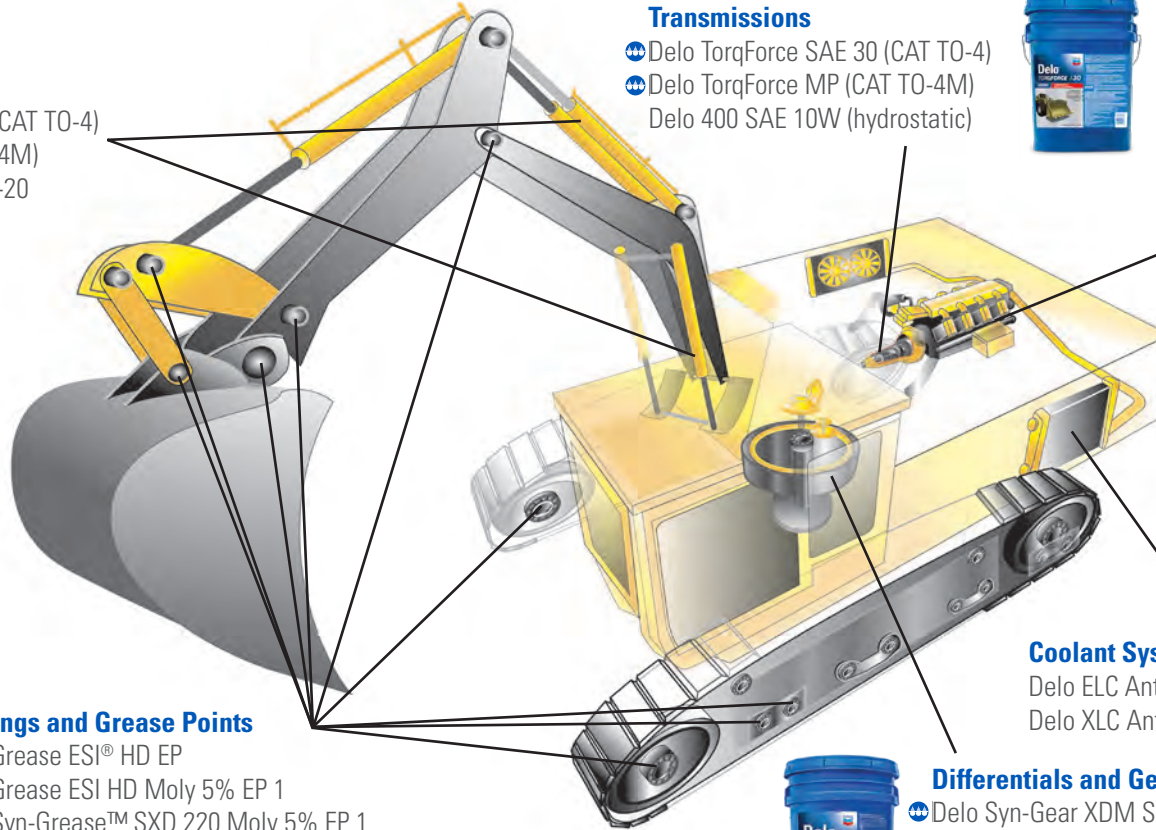
Transmissions

- Delo TorqForce SAE 30 (CAT TO-4)
- Delo TorqForce MP (CAT TO-4M)
- Delo 400 SAE 10W (hydrostatic)



Engine Crankcase

- Delo 400 XSP SAE 5W-40
- Delo 400 XLE SAE 15W-40
- Delo 400 XLE SAE 10W-30
- Delo 400 SDE SAE 15W-40



Bearings and Grease Points

- Delo Grease ESI® HD EP
- Delo Grease ESI HD Moly 5% EP 1
- Delo Syn-Grease™ SXD 220 Moly 5% EP 1



Coolant System

- Delo ELC Antifreeze/Coolant Premixed 50/50
- Delo XLC Antifreeze/Coolant Premixed 50/50

Differentials and Gear Drives

- Delo Syn-Gear XDM SAE 75W-90
- Delo Gear ESI SAE 80W-90
- Delo TorqForce SAE 50 (CAT TO-4)



Available as ISOCLEAN® Certified

The product recommendations provide general guidelines for use in construction equipment. All manufacturers have different coolant and lubricant requirements and recommendations. It will be important to contact a Chevron representative or refer to the Original Equipment Manufacturer manual to confirm the proper product is used for the application. Visit chevron-gsc.force.com/lubteksupport for confirmation of specific OEM specifications.



Delo®

Let's go further.®

A Chevron company product

©2019 Chevron U.S.A. Inc. All rights reserved. All trademarks are property of Chevron Intellectual Property LLC or their respective owners.

DLPTCNEQST_08-19



Delo® Bumper-to-Bumper Protection for Wheel Loaders

Hydraulic System

- Delo TorqForce™ SAE 10W (CAT TO-4)
- Delo TorqForce MP
- Clarity® Synthetic Hydraulic AW
- Rando® HDZ



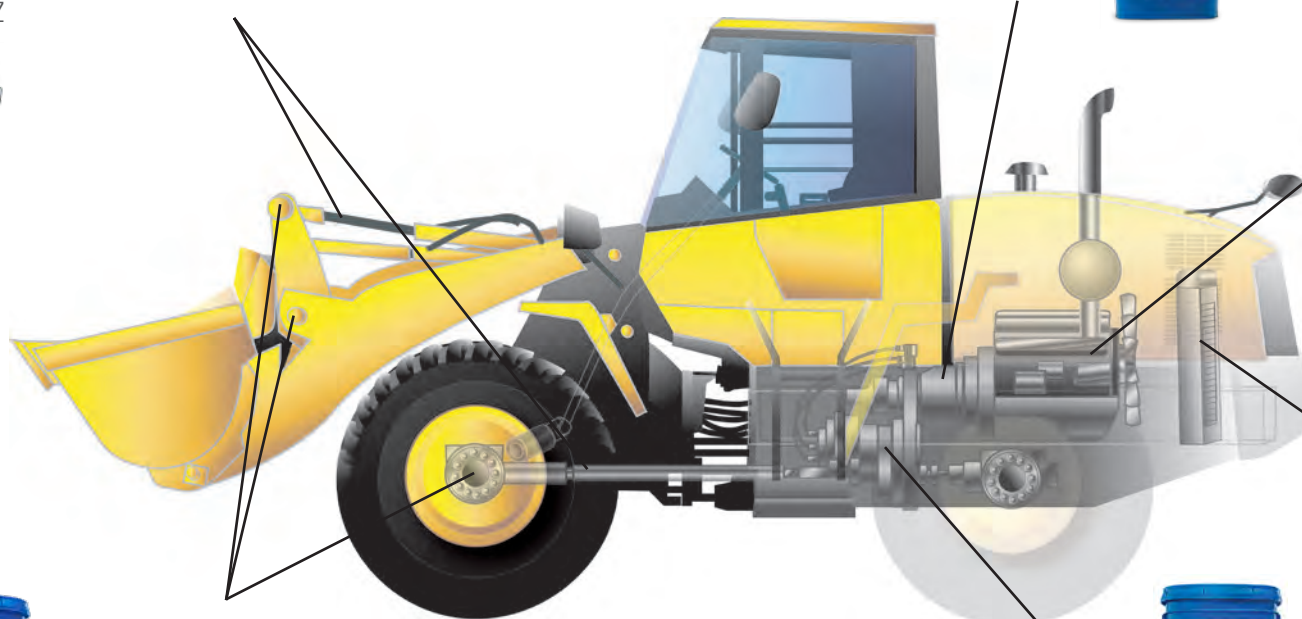
Transmission

- Delo TorqForce SAE 10W (CAT TO-4)
- Delo TorqForce MP (CAT TO-4M)
- Delo TorqForce Syn SAE 5W-20 (CAT TO-4)



Engine Crankcase

- Delo 400 XSP SAE 5W-40
- Delo 400 XLE SAE 15W-40
- Delo 400 XLE SAE 10W-30
- Delo 400 SDE SAE 15W-40



Coolant System

- Delo ELC Antifreeze/Coolant
- Delo XLC Antifreeze/Coolant



Bearings and Grease Points

- Delo Grease ESI® HD EP
- Delo Grease ESI HD Moly 5% EP 1
- Delo Syn-Grease™ SXD 220 Moly 5% EP 1



Gear Drive

- Delo TorqForce SAE 50 (CAT TO-4)
- Delo TorqForce FD SAE 60 (CAT FD-1)



Available as ISOCLEAN® Certified

The product recommendations provide general guidelines for use in wheel loaders. All manufacturers have different coolant and lubricant requirements and recommendations. It will be important to contact a Chevron representative or refer to the Original Equipment Manufacturer manual to confirm the proper product is used for the application. Visit chevron-gsc.force.com/lubteksupport for confirmation of specific OEM specifications.



Delo®

Let's go further.®

A Chevron company product

©2019 Chevron U.S.A. Inc. All rights reserved. All trademarks are property of Chevron Intellectual Property LLC or their respective owners.

DLBBWLDST_08-19



Delo® Protection for Surface Mining Equipment



Hydraulic System

- Delo® TorqForce™ SAE 10W (CAT TO-4)
- Delo TorqForce MP (CAT TO-4M)
- Clarity® Synthetic Hydraulic AW
- Rando® HDZ



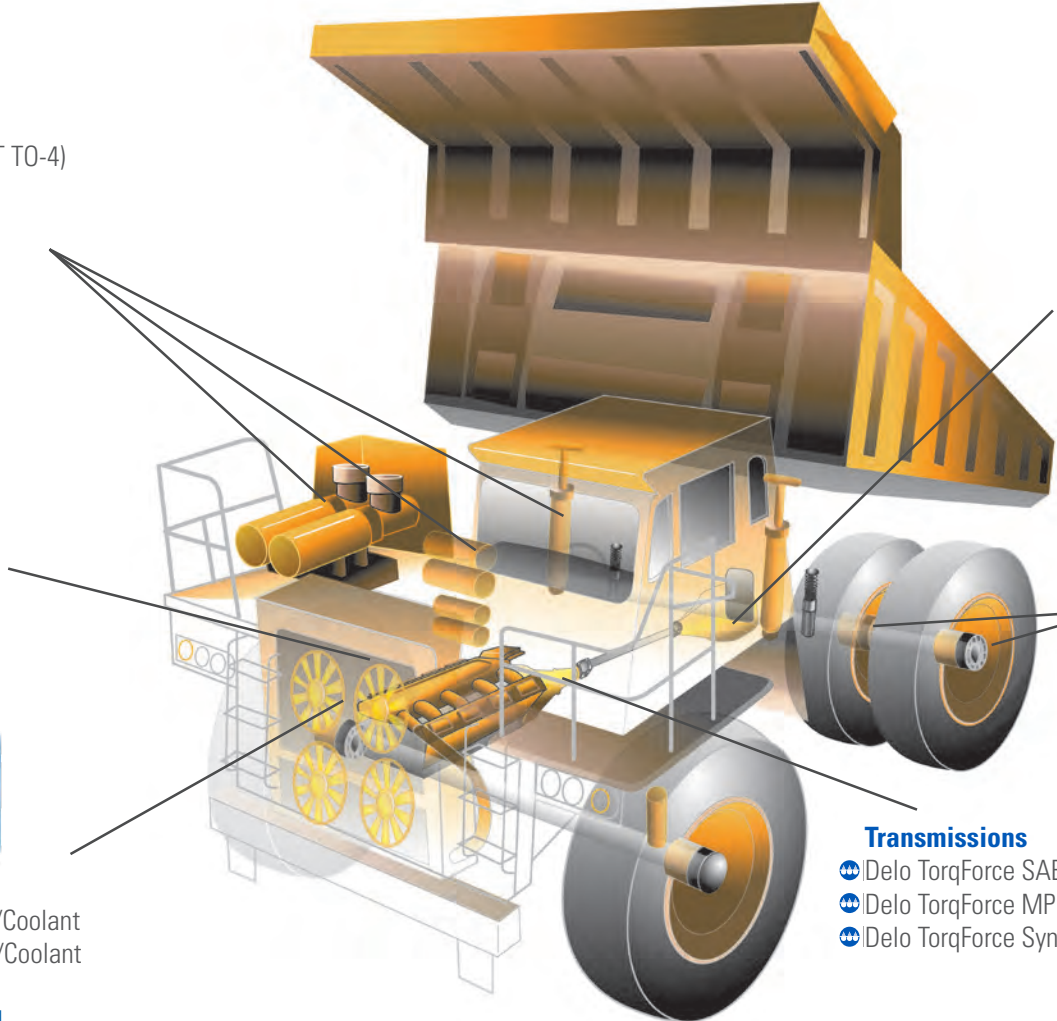
Engine Crankcase

- Delo 400 XSP SAE 5W-40
- Delo 400 XLE SAE 15W-40
- Delo 400 XLE SAE 10W-30
- Delo 400 SDE SAE 15W-40



Coolant System

Delo ELC Antifreeze/Coolant
Delo XLC Antifreeze/Coolant



Differentials & Gear Drives

- Delo TorqForce SAE 50 (CAT TO-4)
- Delo TorqForce FD SAE 60 (CAT FD-1)



Bearings and Grease Points

Delo Grease ESI® HD EP
Delo Grease ESI HD Moly 5% EP 1
Delo Syn-Grease™ SXD 220 Moly 5% EP 1



Transmissions

- Delo TorqForce SAE 30 (CAT TO-4)
- Delo TorqForce MP (CAT TO-4M)
- Delo TorqForce Syn SAE 5W-20 (CAT TO-4)

Available as ISOCLEAN® Certified

The product recommendations provide general guidelines for use in mining equipment. All manufacturers have different coolant and lubricant requirements and recommendations. It will be important to contact a Chevron representative or refer to the Original Equipment Manufacturer manual to confirm the proper product is used for the application. Visit chevron-gsc.force.com/lubeteksupport for confirmation of specific OEM specifications.



Delo®
Let's go further.®

A Chevron company product

©2019 Chevron U.S.A. Inc. All rights reserved. All trademarks are property of Chevron Intellectual Property LLC or their respective owners.

DLPTMNEQST_08-19

Delo® Bumper-to-Bumper Protection for Dump Trucks



Engine Crankcase

- Delo 400 XSP SAE 5W-30
- Delo 400 XSP SAE 5W-40
- Delo 400 XLE SAE 15W-40
- Delo 400 XLE SAE 10W-30
- Delo 400 SDE SAE 15W-40
- Delo 400 NG SAE 15W-40
(For CNG/LNG Engines)



Coolant System

- Delo ELC Antifreeze/Coolant
- Delo XLC Antifreeze/Coolant

Clutch Bearings

- Delo Grease ESI® EP 2
- Delo Grease ESI HD EP
- Delo Grease EP
- Delo Starplex® EP

Available as ISOCLEAN® Certified

The product recommendations provide general guidelines for use in dump trucks. All manufacturers have different coolant and lubricant requirements and recommendations. It will be important to contact a Chevron representative or refer to the Original Equipment Manufacturer manual to confirm the proper product is used for the application. Visit chevron-gsc.force.com/lubteksupport for confirmation of specific OEM specifications.



Various Grease Points

- Delo Grease ESI EP 2
- Delo Grease ESI HD EP
- Delo Grease EP
- Delo Starplex® EP



Differentials & Axles

- Delo Syn-Gear XDM SAE 75W-90
- Delo Gear ESI SAE 80W-90

Hydraulic System

- Clarity® Synthetic
- Rando® HDZ
- Clarity AW
- Rando HD

Grease Points, Rods, Pins & Bearings

- Delo Grease ESI EP
- Delo Grease ESI HD EP
- Delo Grease EP
- Delo Starplex EP

Transmissions (Manual & Automatic)

- Delo Syn-Trans XE SAE 50 (Manual)
- Delo Trans ESI SAE 40 (Manual)
- Delo Syn ATF HD
- Chevron ATF HD 389



Delo®

Let's go further.®

A Chevron company product

©2019 Chevron U.S.A. Inc. All rights reserved. All trademarks are property of Chevron Intellectual Property LLC or their respective owners.

DLBBPDUMPTRK_08-19



Delo® Bumper-to-Bumper Protection for Concrete Trucks



Engine Crankcase

- Delo 400 XSP SAE 5W-40
- Delo 400 XLE SAE 15W-40
- Delo 400 XLE SAE 10W-30
- Delo 400 SDE SAE 15W-40
- Delo 400 NG SAE 15W-40
(For CNG/LNG Engines)



Coolant System

- Delo ELC Antifreeze/Coolant
- Delo XLC Antifreeze/Coolant

Clutch Bearings

- Delo Grease ESI® EP 2
- Delo Grease EP
- Delo Grease ESI HD EP
- Delo Starplex® EP

Grease Points, Rods, Pins & Bearings

- Delo Grease ESI® EP 2
- Delo Grease EP
- Delo Grease ESI HD EP
- Delo Starplex EP

Transmissions (Manual & Automatic)

- Delo Syn-Trans XE SAE 75W-90 (AMT)
- Delo Syn-Trans HD SAE 50 (Manual)
- Delo Trans ESI SAE 40 (Manual)
- Delo Syn ATF HD

Hydraulic System

- Rando® HD
- Rando HDZ
- Clarity® Hydraulic Oils
- Clarity Synthetic Hydraulic Oils
- Chevron 1000 THF
- Delo TorqForce™ MP
- Delo TorqForce 10W

Differentials, Axles and Wheel Bearings

- Delo Syn-Gear XDM SAE 75W-90
- Delo Gear ESI SAE 80W-90

Available as ISOCLEAN® Certified

The product recommendations provide general guidelines for use in concrete trucks. All manufacturers have different coolant and lubricant requirements and recommendations. It will be important to contact a Chevron representative or refer to the Original Equipment Manufacturer manual to confirm the proper product is used for the application. Visit chevron-gsc.force.com/lubteksupport for confirmation of specific OEM specifications.

Delo®

Let's go further.®



A Chevron company product

©2019 Chevron U.S.A. Inc. All rights reserved. All trademarks are property of Chevron Intellectual Property LLC or their respective owners.

DLBBPTCEM_08-19